

# PRODUCT SPECS

## AF-Series Appliances

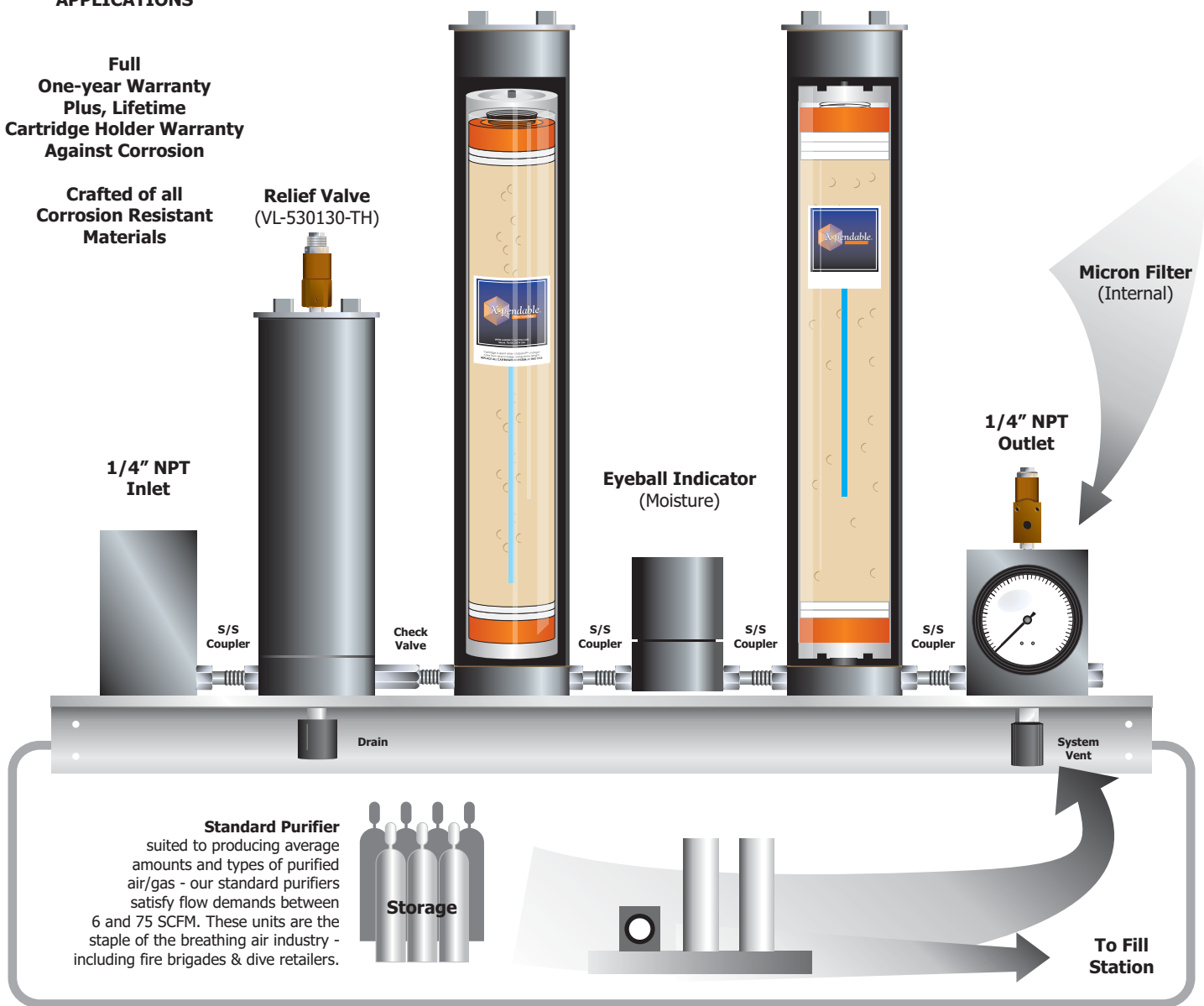
Your Perfect Choice For High Pressure Breathing Air

**-Ideal for-  
BREATHING AIR  
APPLICATIONS**

**Full  
One-year Warranty  
Plus, Lifetime  
Cartridge Holder Warranty  
Against Corrosion**

**Crafted of all  
Corrosion Resistant  
Materials**

**X-pendable® Filter Cartridges**  
(for breathing air applications)



When the pressure is on and lives and health depend upon the quality of compressed breathing air, a Lawrence Factor® Appliance can make the difference. Lawrence Factor® Appliances, the result of years of considered research by our laboratory X-perts, purify and supply safe breathing air for those who work or play in hazardous environments.

**“AF” SERIES APPLIANCES ARE YOUR PERFECT CHOICE FOR:**

- Scuba Divers
- Pilot Air
- Fire & Rescue Workers
- Medical Air
- Hazardous Environment Workers
- Wearers of “SCBA”

**SPECIFICATIONS . . .**

Minimum WP: 2000 PSI  
 Maximum WP: 5000 PSI (Optional 6000 PSI)  
 Maximum Operating Temp.: 120°F  
 Tensile Strength: 83000  
 Cylinder Mat.: Aluminum 7075 / 6061  
 Cylinder Finish: Hard Anodize  
 Safety Factor: 4:1 ASME  
 Re-pressure Cycle Life: 40000

**INCLUDED . . .**

L-Factor “X” Cartridge Set  
 Instruction Manual  
 Cart Change Indicator Kit  
 Full 1-Year Warranty

**OPTIONAL . . .**

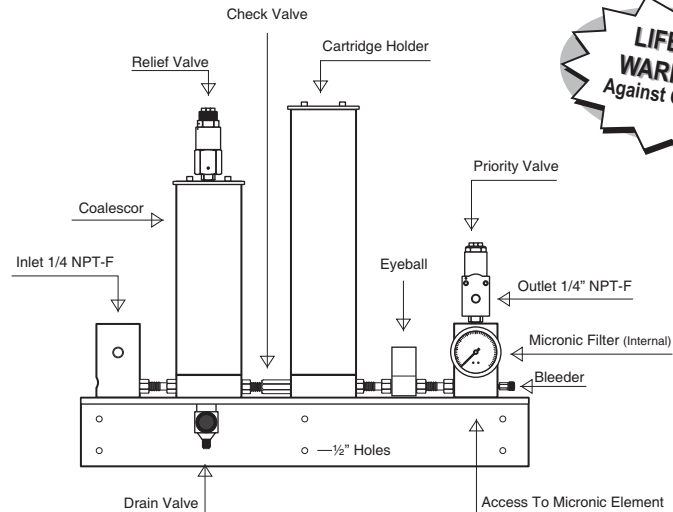
Electronic Cart Change Monitor  
 Electronic CO Monitor  
 X-zam® Air Quality Test Program  
 Freestanding Chassis  
 Spanner Wrench  
 Non-Hydrocarbon Grease  
 Seal Kit

**OTHER AF MODELS . . .**

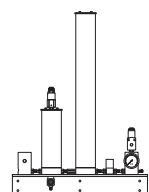
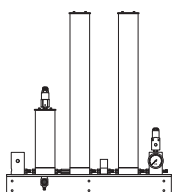
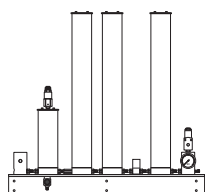
**AF-531-114**  
 Maximum SCFM: 60  
 Typical Cartridge Life: 140,000 CF

**AF-531-116**  
 Maximum SCFM: 75  
 Typical Cartridge Life: 250,000 CF

**AF-531-117**  
 Maximum SCFM: 75  
 Typical Cartridge Life: 400,000 CF



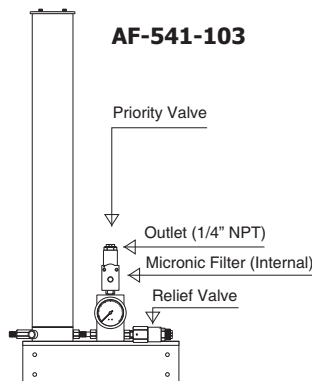
**AF-531-110**  
 Maximum CFM: 12  
 \*Typical Cartridge Life: 13000 CF  
 Cartridge: X53240  
 Dimensions: 18"W x 22"H x 5"D

 <p><b>AF-531-111</b>        Maximum CFM: 20        *Typical Cartridge Life: 26000 CF        Cartridge: X53247        Dimensions: 18"W x 36"H x 5"D</p>	 <p><b>AF-531-112</b>        Maximum CFM: 40        *Typical Cartridge Life: 65000 CF        Cartridge: X53677 &amp; X53247        Dimensions: 24"W x 38"H x 5"D</p>	 <p><b>AF-531-113</b>        Maximum CFM: 40        *Typical Cartridge Life: 110000 CF        Cartridge: X53677 &amp; X53247        Dimensions: 30"W x 38"H x 5"D</p>
---	---	---

\*Typical Cartridge Lives are calculated for gas saturated with water and entering appliance at 80°F and 5000 PSI.

**Economical Models**

Designed for use with Low Flow Compressors - these economy “AF” Purifiers combine coalescing and adsorption processes within a single duplex stage tower.



**AF-541-103**  
 Maximum CFM: 12  
 \*Typical Cartridge Life: 16000 CF  
 Cartridge: X542423  
 Dimensions: 12"W x 36"H x 5"D

**AF-541-104**  
 Maximum CFM: 8  
 \*Typical Cartridge Life: 6500 CF  
 Cartridge: X54249  
 Dimensions: 8" x 18" x 5"

Optional: 1) Inlet Manifold for economy 2) “Eyeball” cartridge change indicator.  
 NOTE: Economical models not recommended for use with Auto Drain Systems.

