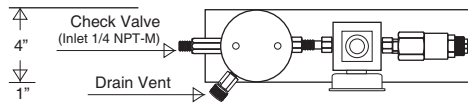
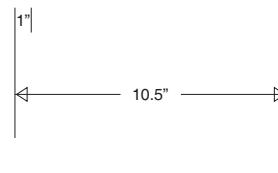
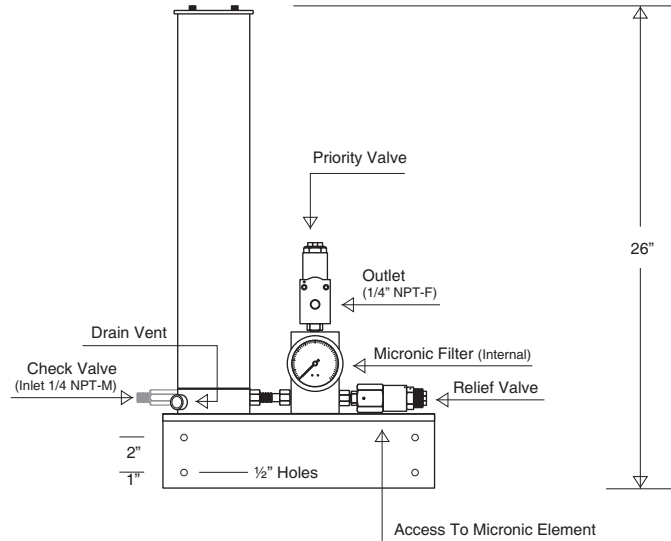
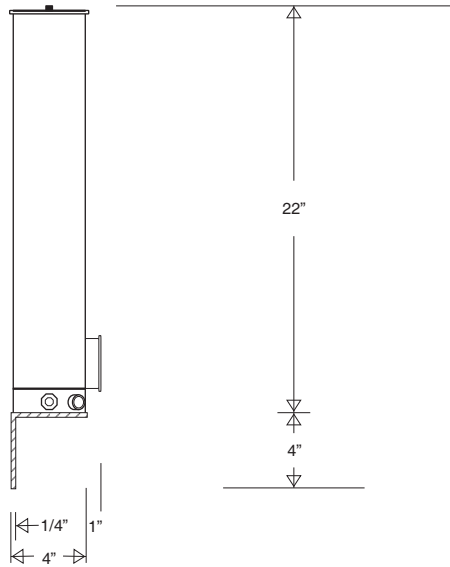


Allow 28" Overhead Clearance For Cartridge Change

Side View



Top View